

**SAFETY FIRST**



**S S SMART SOLUTIONS**

# About Us



*S S Smart Solutions established in 2019, has been executing multi disciplinary projects and products in the field of Mechanical Engineering. S S Smart Solutions is an engineering org. managed by a dedicated terms of professional and various level in different disciplines is engaged in the services of core sector of industries of India.*

*S S Smart Solutions has sufficient in house resource in terms of engineering manpower, tools and plants, technical know-how besides separates department for design and engineering.*

# S S SMART SOLUTIONS

### **Mission Statement**

*S S Smart Solutions is committed to continuously improve it's products and services to better satisfy the needs and expectations of our customers.*

### **Quality Policy**

*It is the policy of S S Smart Solutions to meet and exceed our customer's expectation, strive for continuous quality and productivity improvement and uphold our reputation for quality products and competitive.*

**SS SMART SOLUTIONS**

## OUR EXPERTISE

- ❖ All Type of Fabrication Work Mild Steel (MS), Stainless Steel (SS), Galvanized Iron (GI) etc.
- ❖ Supply of Mechanical and Electronic Equipment's
- ❖ Pre-Engineered Buildings, Erection.
- ❖ Roof Leakage Water proofing.
- ❖ Steel Structural Platforms, Hand Rails & Industrial Trolley ETC.
- ❖ Civil Works (Building & Road Construction)
- ❖ Solar Installation & Smart Security.
- ❖ Manpower Supply (Unskilled, Semi-Skilled and Highly Skilled)

## **Special Machine – SPARKLE BHARAT**

*Laser Marking Machine (Fiber laser Marker, UV Laser Marker, CO2 Marker all Types of Marking Solutions With Automation) Special Purpose Marking Machine.*

# Laser Marking Machine



**SS SMART SOLUTIONS**

## SOLAR (THE POWER)

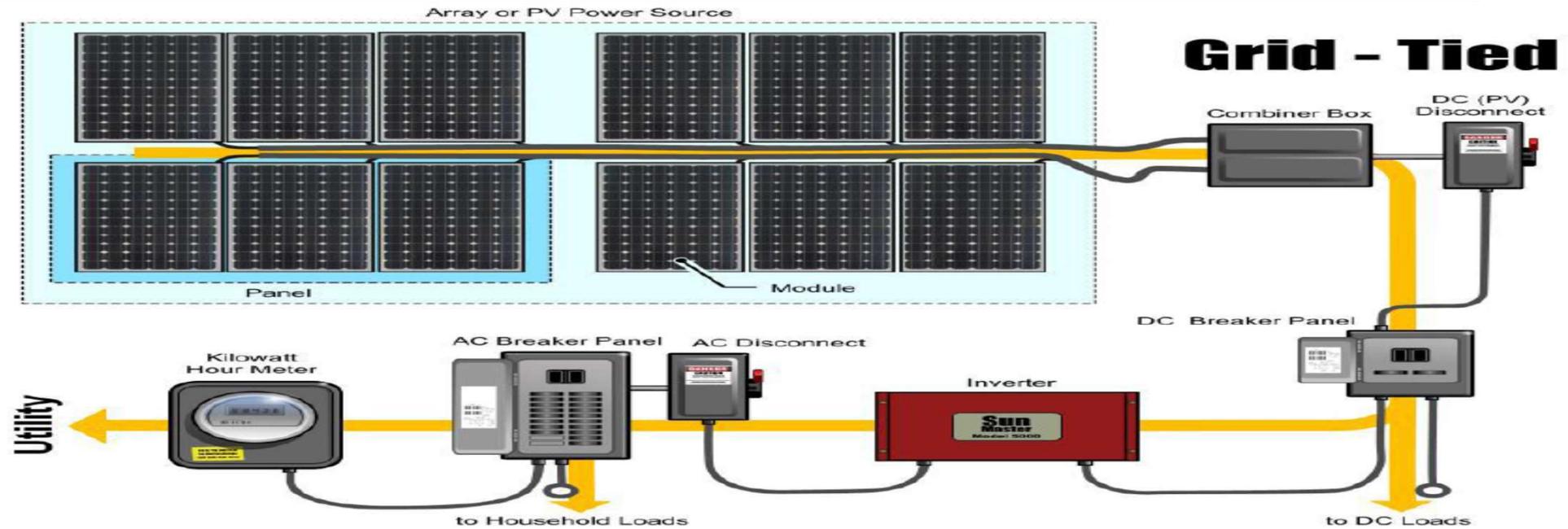
WE ARE YOUR SOLAR POWER SOLUTION PARTNER



SS SMART SOLUTIONS

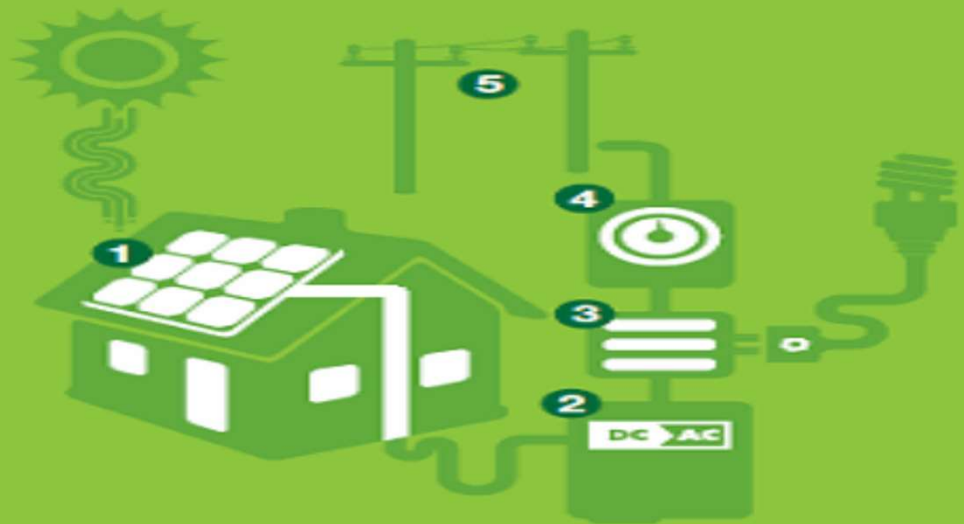


# Solar (The Power)



## HOW A SOLAR SYSTEM WORKS

- 1 Solar panels
- 2 Inverter
- 3 Switch board
- 4 Electricity meter
- 5 Electricity mains grid



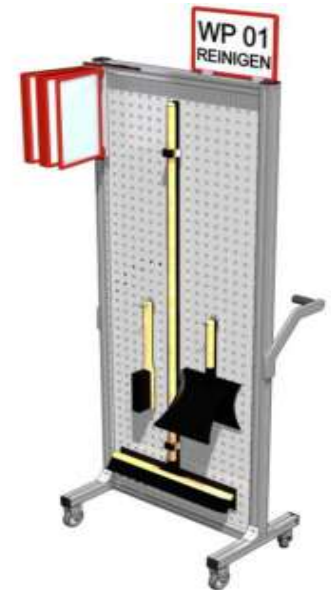
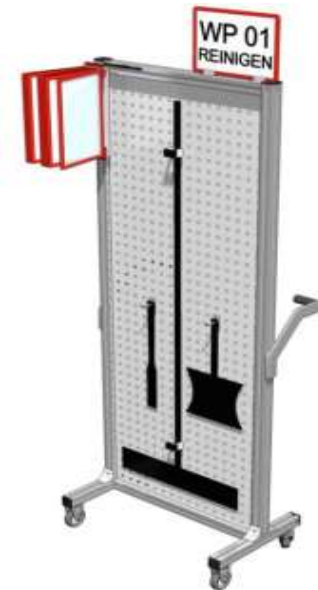


# HAND PALLET



**SS Smart Solutions**

# INDUSTRIAL TROLLEYS



**SS SMART SOLUTIONS**



# Industrial Trolleys



**SS SMART SOLUTIONS**

# CASTORS WHEELS



**SS SMART SOLUTIONS**



# Industrial Consumable Items



**SS SMART SOLUTIONS**

# Our Valuable Customers



- *MISUMI INDIA PVT LTD*
- *BRK ASSOCIATES*
- *CANPACK INDIA PVT LTD*
- *SHUBH SHREE ENGINEERING CONSTRUCTION PVT LTD*
- *FIAT CHRYSLER AUTOMOBILES RIVIAN AUTOMOTIVE*
- *PACCAR INC*
- *ALPHEON VEGG INNOVATION*

**SS SMART SOLUTIONS**



# Our Associate Units



- *SPARKLE BHARAT*
- *YANTRIK TECHNOCRATS INDIA PVT LTD*

**SS SMART SOLUTIONS**



*We are looking ahead for your positive response*

***S S SMART SOLUTIONS***

***(Complete Solutions for Industries)***

**Contact Details:**

***Mr. Ranjan Singh***

***(Founder & MD)***

***Call: +917678384748/+918506084757***

***Mr. Himanshu Tripathi***

***(Founder & CEO )***

***+918076923794***

***Office ADDRESS: SHOP NO A-3, VASUNDHARA APARTMENT, FOUR SEASON ROAD,  
BHUGAON, NEAR DAULAT PETROL PUMP, PUNE , MAHARASHATRA- 412115***

***E-mail: [ss.smartsolutions17@gmail.com](mailto:ss.smartsolutions17@gmail.com)***

***[sssmartprojects@gmail.com](mailto:sssmartprojects@gmail.com)***

**S S SMART SOLUTIONS**



**Government of India**  
**Form GST REG-06**  
*[See Rule 10(1)]*

**Registration Certificate**

**Registration Number : 27BWBPS1969N2ZQ**

1.	<b>Legal Name</b>	RANJAN SINGH
2.	<b>Trade Name, if any</b>	S S SMART SOLUTIONS
3.	<b>Additional trade names, if any</b>	null
4.	<b>Constitution of Business</b>	Proprietorship
5.	<b>Address of Principal Place of Business</b>	BHUGAON, OFFICE NO 707, FLOOR NO 7, SKY SONGBIRDS TOWER NO 1, Paud Road, PAUD ROAD, Pirangut, Pune, Maharashtra, 412115

**S S SMART SOLUTIONS**



भारत सरकार  
Government of India  
सूक्ष्म, लघु एवं मध्यम उद्यम मंत्रालय  
Ministry of Micro, Small and Medium Enterprises

**MSME**  
MEDIUM, SMALL & MICRO ENTERPRISES

## UDYAM REGISTRATION CERTIFICATE



Our small hands to  
make you LARGE

UDYAM REGISTRATION NUMBER	UDYAM-HR-05-0030213																							
NAME OF ENTERPRISE	S S SMART SOLUTIONS																							
TYPE OF ENTERPRISE *	MICRO																							
MAJOR ACTIVITY	SERVICES																							
SOCIAL CATEGORY OF ENTREPRENEUR	GENERAL																							
NAME OF UNIT(S)	<table border="1"> <tr> <th>S.No.</th> <th>Udyog Aadhaar Memorandum</th> <th>Unit(s) Name</th> </tr> <tr> <td>1</td> <td>IER05A0026308</td> <td>S S SMART SOLUTIONS</td> </tr> </table>		S.No.	Udyog Aadhaar Memorandum	Unit(s) Name	1	IER05A0026308	S S SMART SOLUTIONS																
S.No.	Udyog Aadhaar Memorandum	Unit(s) Name																						
1	IER05A0026308	S S SMART SOLUTIONS																						
OFFICIAL ADDRESS OF ENTERPRISE	<table border="1"> <tr> <th>Flat/Door/Block No.</th> <th>HOUSE NO 926/2/22</th> <th>Name of Premises/ Building</th> <th>SHIV NAGAR</th> </tr> <tr> <th>Village/Town</th> <td>SHIV NAGAR</td> <th>Block</th> <td>GERGAON</td> </tr> <tr> <th>Road/Street/Lane</th> <td>SHIV NAGAR</td> <th>City</th> <td>GERGAON</td> </tr> <tr> <th>State</th> <td>HARYANA</td> <th>District</th> <td>GERUGRAM - Pin 122001</td> </tr> <tr> <th>Mobile</th> <td>7678384748</td> <th>Email</th> <td>s_s_smartolutions17@gmail.com</td> </tr> </table>	Flat/Door/Block No.	HOUSE NO 926/2/22	Name of Premises/ Building	SHIV NAGAR	Village/Town	SHIV NAGAR	Block	GERGAON	Road/Street/Lane	SHIV NAGAR	City	GERGAON	State	HARYANA	District	GERUGRAM - Pin 122001	Mobile	7678384748	Email	s_s_smartolutions17@gmail.com			
Flat/Door/Block No.	HOUSE NO 926/2/22	Name of Premises/ Building	SHIV NAGAR																					
Village/Town	SHIV NAGAR	Block	GERGAON																					
Road/Street/Lane	SHIV NAGAR	City	GERGAON																					
State	HARYANA	District	GERUGRAM - Pin 122001																					
Mobile	7678384748	Email	s_s_smartolutions17@gmail.com																					
DATE OF INCORPORATION / REGISTRATION OF ENTERPRISE	10/03/2019																							
DATE OF COMMENCEMENT OF PRODUCTION/BUSINESS	14/11/2021																							
NATIONAL INDUSTRY CLASSIFICATION CODE(S)	<table border="1"> <tr> <th>S.No.</th> <th>NIC 2 Digit</th> <th>NIC 4 Digit</th> <th>NIC 5 Digit</th> <th>Activity</th> </tr> <tr> <td>1</td> <td>25 - Manufacture of fabricated metal products, except machinery and equipment</td> <td>2599 - Manufacture of other fabricated metal products n.e.c.</td> <td>25999 - Manufacture of other fabricated metal products n.e.c.</td> <td>Manufacturing</td> </tr> </table>	S.No.	NIC 2 Digit	NIC 4 Digit	NIC 5 Digit	Activity	1	25 - Manufacture of fabricated metal products, except machinery and equipment	2599 - Manufacture of other fabricated metal products n.e.c.	25999 - Manufacture of other fabricated metal products n.e.c.	Manufacturing													
S.No.	NIC 2 Digit	NIC 4 Digit	NIC 5 Digit	Activity																				
1	25 - Manufacture of fabricated metal products, except machinery and equipment	2599 - Manufacture of other fabricated metal products n.e.c.	25999 - Manufacture of other fabricated metal products n.e.c.	Manufacturing																				
DATE OF UDYAM REGISTRATION	15/11/2021																							

\* In case of graduation (upward/reverse) of status of an enterprise, the benefit of the Government Schemes will be availed as per the provisions of Notification No. S.O. 2119(E) dated 26.06.2020 issued by the MSME.

Disclaimer: This is computer generated statement, no signature required. Printed from <https://udyamregistration.gov.in> & Date of printing:- 20/11/2021

For any assistance, you may contact:

1. District Industries Centre: GURGAON (HARYANA)
2. MSME-DI: KARNAL (HARYANA)

Visit : [www.msme.gov.in](http://www.msme.gov.in) ; [www.dcmsme.gov.in](http://www.dcmsme.gov.in) ; [www.champions.gov.in](http://www.champions.gov.in)

Follow us @minmsme & @msmechampions



**BE A  
CHAMPION**  
with the  
Ministry of  
**MSME**

# SS SMART SOLUTIONS



**THANKS**

**COMPLETE SOLUTION FOR YOUR NEEDS**

**SS SMART SOLUTIONS**